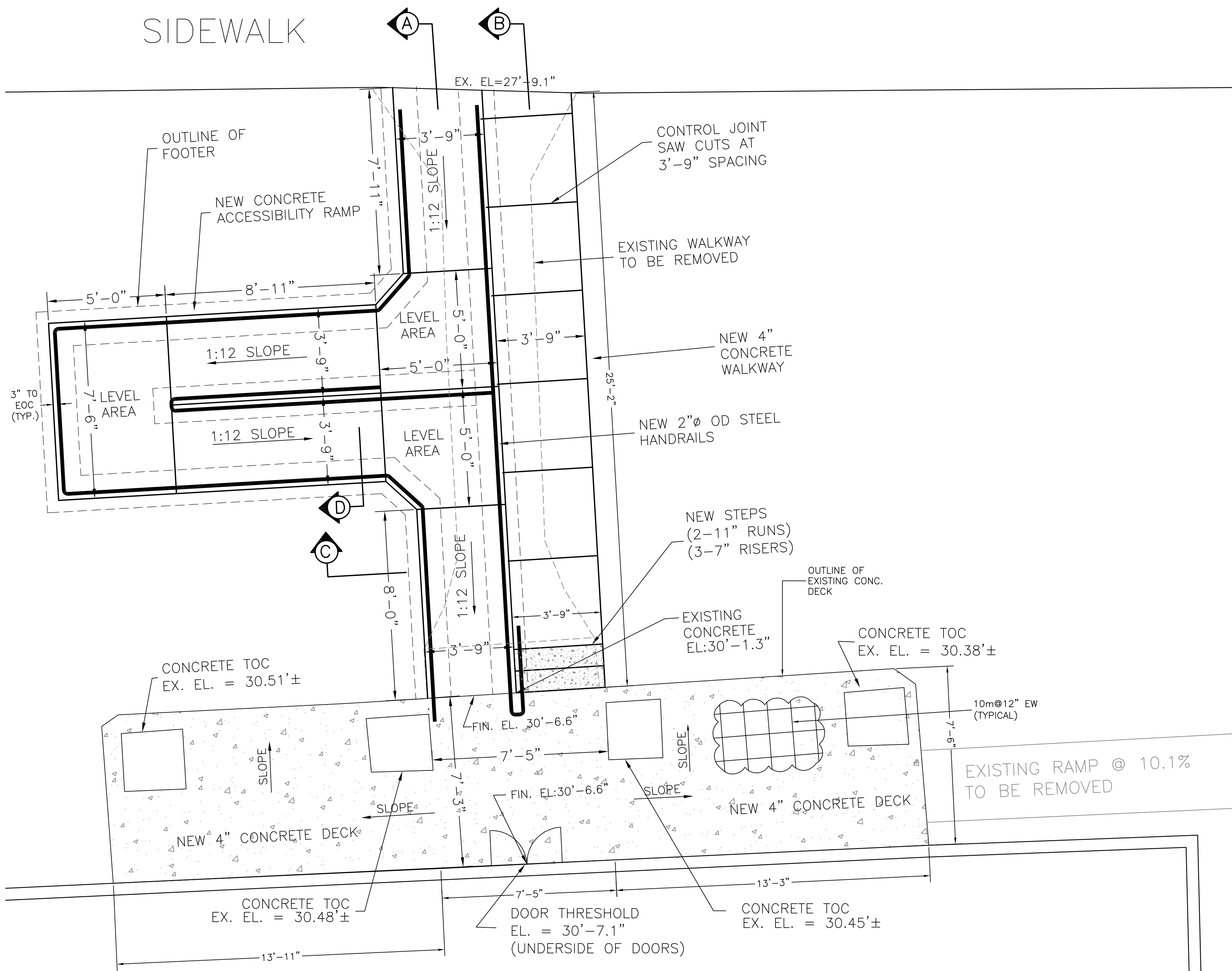


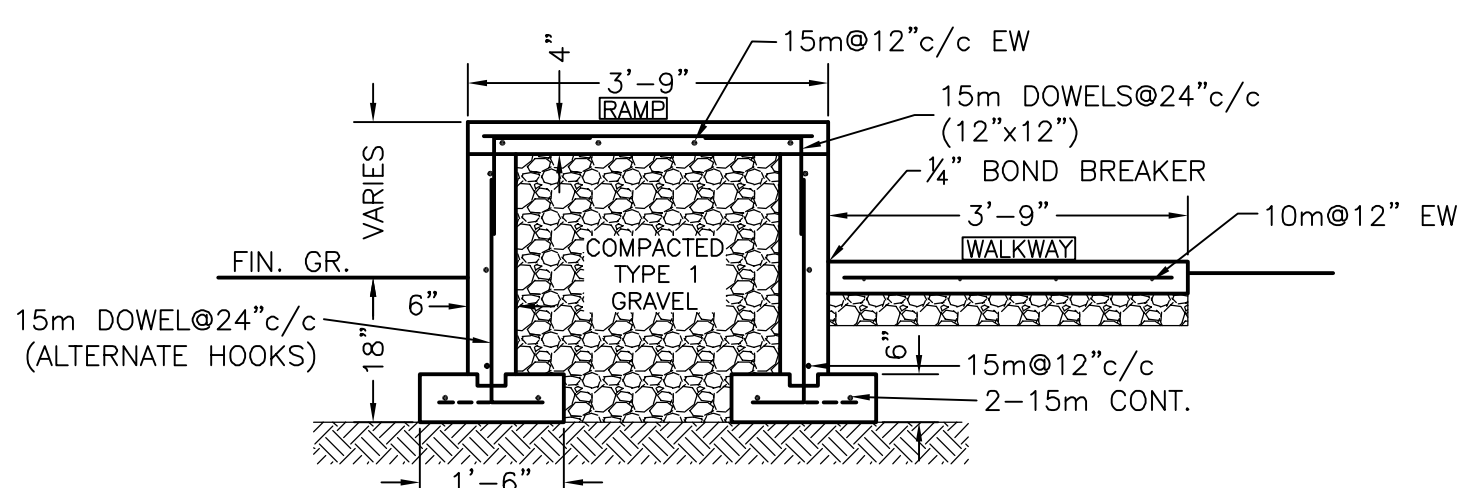
MAIN ST.

SIDEWALK

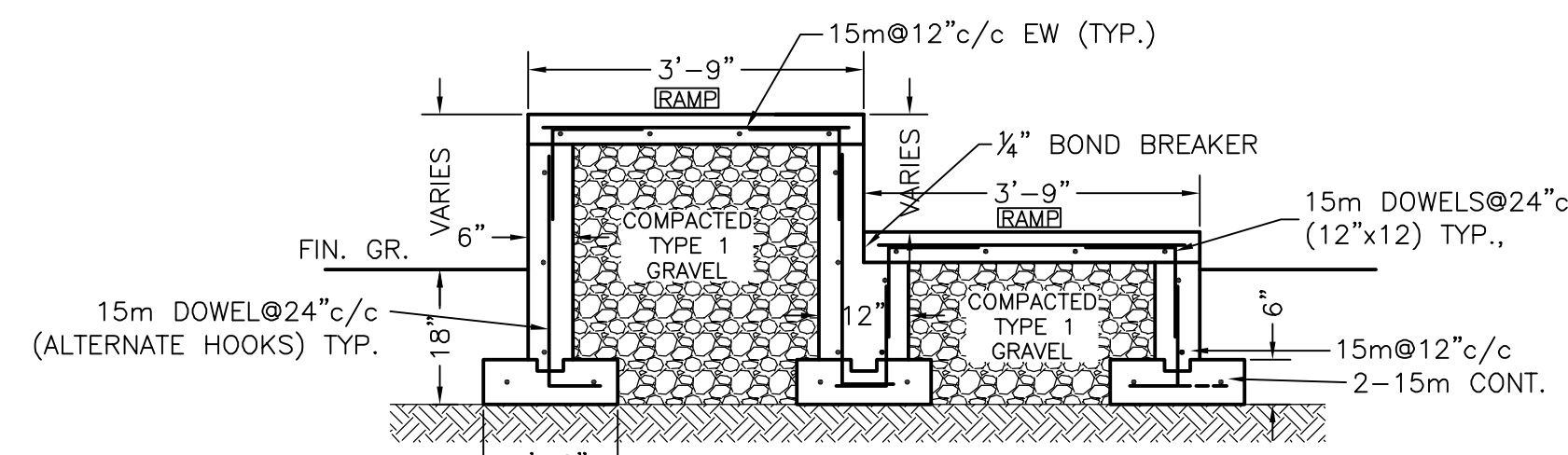


**PLAN**  
SCALE: 3/8"=1'-0"

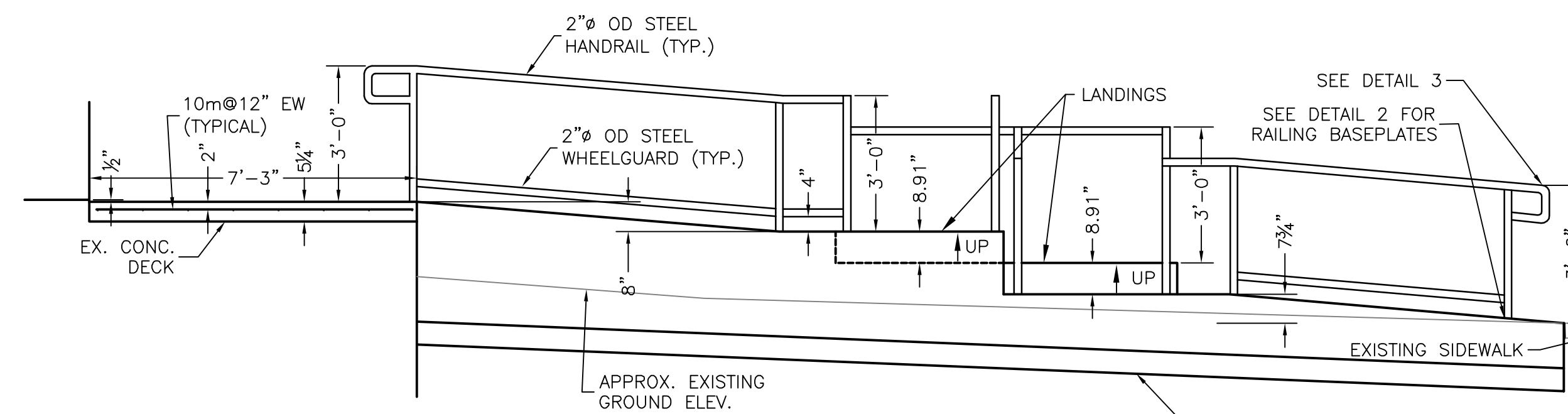
COURT HOUSE



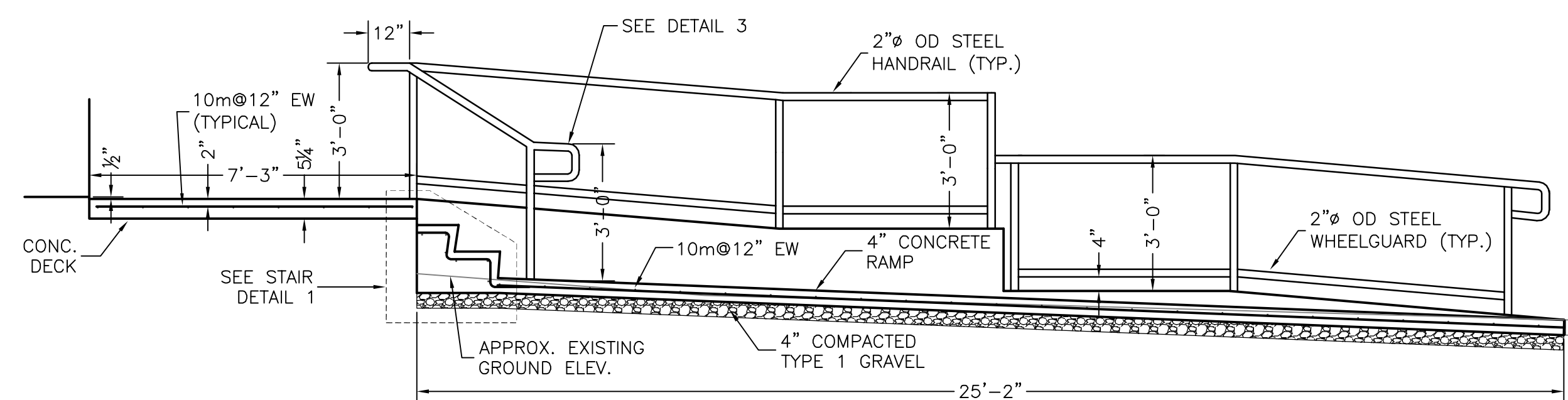
**SECTION C**  
SCALE: 1/2"=1'-0"



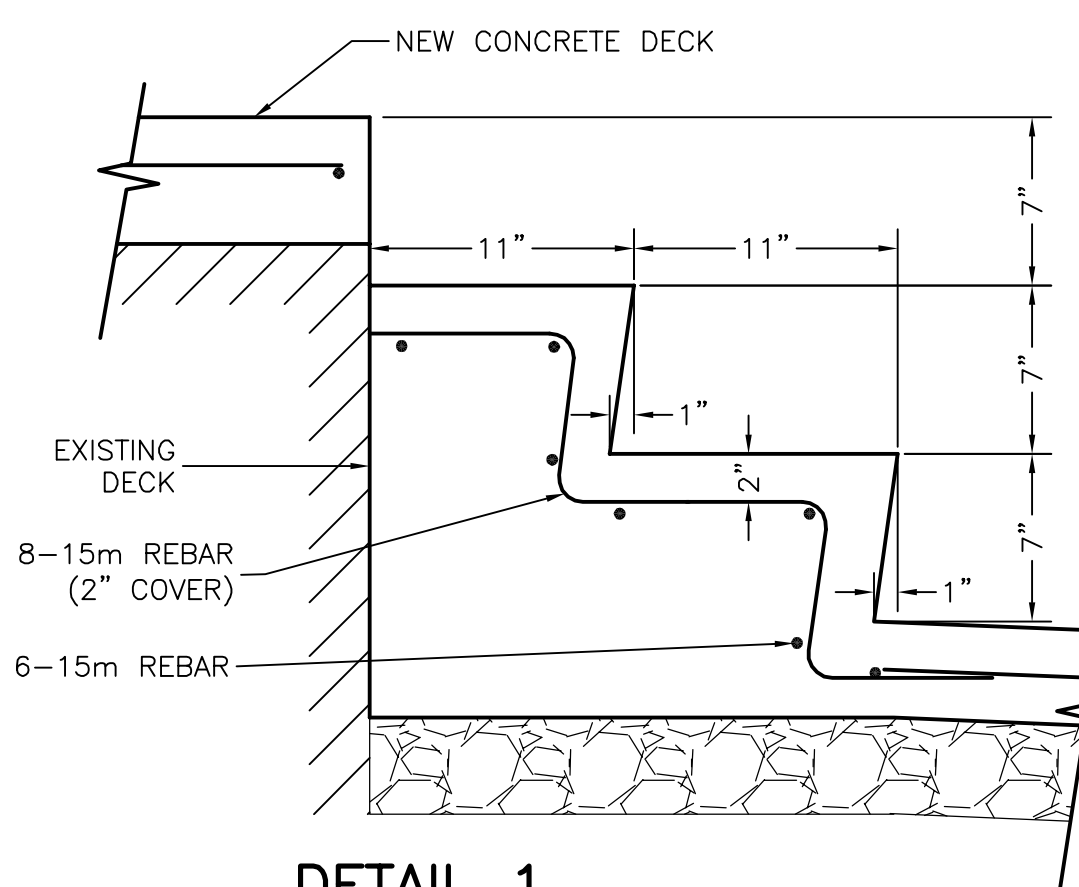
**SECTION D**  
SCALE: 1/2"=1'-0"



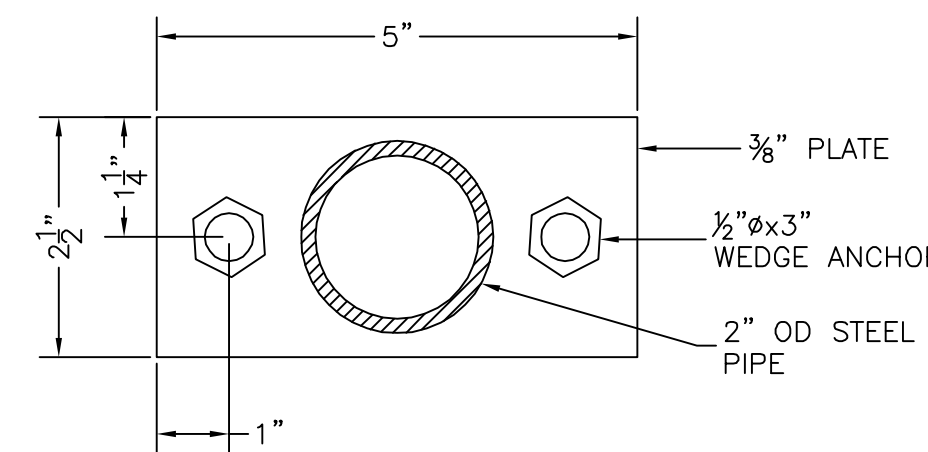
**SECTION A**  
SCALE: 3/8"=1'-0"



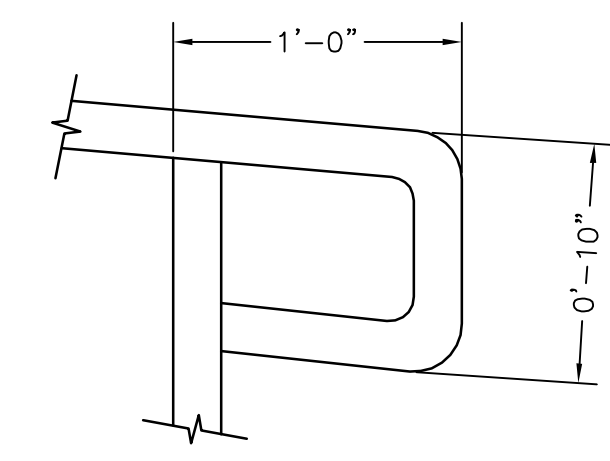
**SECTION B**  
SCALE: 3/8"=1'-0"



**DETAIL 1**  
SCALE: 1-1/2"=1'-0"



**DETAIL 2**  
SCALE: 6"=1'-0"



**DETAIL 3**  
SCALE: 1-1/2"=1'-0"

**GENERAL NOTES**

- 1) ALL WORK TO BE DONE IN ACCORDANCE WITH THE NATIONAL BUILDING CODE OF CANADA, 2015.
- 2) ALL CONCRETE SHALL CONFORM WITH CSA-A23.1 REINFORCEMENT SHALL CONFORM TO CSA-G30.12. CONCRETE AND REINFORCEMENT SHALL BE DETAILED AND PLACED ACCORDING TO CSA-A23.1. CONCRETE TO HAVE C-2 CLASS OF EXPOSURE, 28 DAY STRENGTH OF 4700 PSI, 0.45 W/C RATIO, 5-8% AIR ENTRAINMENT AND 7 DAYS CURING TIME. CONCRETE WALK AND RAMP TO HAVE 3" TROWEL EDGE AND SURFACE BROOM FINISH.
- 3) REBAR STEEL YIELD STRENGTH TO BE MIN. 60 KSI.
- 4) STEEL RAILING TO BE PREPARED TO SSPC-SP3, POWER TOOL CLEANING. PAINT THE STEEL RAILINGS USING A THREE COAT SYSTEM CONSISTING OF 3-4 MIL ZINC RICH PRIMER, 6-8 MIL EPOXY INTERMEDIATE COAT, AND 3-4 MIL POLYURETHANE TOP COAT, TOTAL DFT 12 MIL MIN. FINAL COLOR BY OWNER'S CHOICE.

NO.	DATE	ISSUED FOR TENDER	GAU	HBM
		REVISIONS		CHK.

**STRAIT ENGINEERING LIMITED**

PORT HAWKESBURY, NOVA SCOTIA

REGISTERED PROFESSIONAL ENGINEER  
DATE 20/05/25  
GAMESBURY  
5570  
PROFESSIONAL SOCIETY OF NOVA SCOTIA

CLIENT:  
**MUNICIPALITY OF THE COUNTY OF ANTIGONISH**

PROJECT:  
**COUNTY COURT HOUSE EXTERIOR BUILDING RENOVATIONS**

DWG:	GAU	PROJECT	19-52
CHKD:	HBM	DRAWING	10
APP:	HBM		
SCALE:	NTS.		
DATE:	MAY 2020		